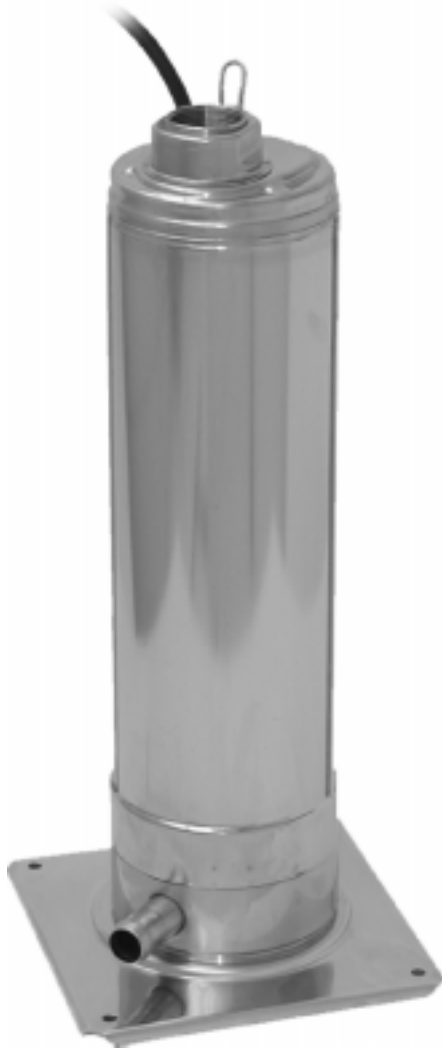




wisy

Engineering
with nature

Multigo submersible Pumps



A solid WISY concept pressure instead of suction!

Multigo pressure pumps bring the pressure from the storage tank directly into the house

That is why no noises can be heard in the house

Various suction filters can be fitted

Supplied with a 1" hose nozzle or 1¼" suction connection (female)

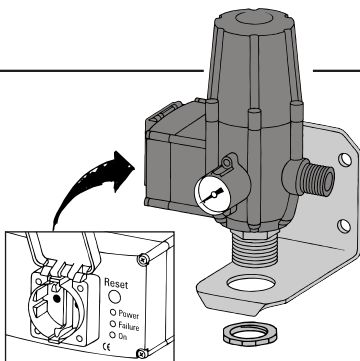
Pressure instead of suction

WISY was always trend-setting with new ideas for rainwater utilization. WISY is continuing this trend with the further developed Multigo Pressure Pump series:

For the first time it is possible to connect floating or fixed suction fine filters to a submersible pump, according to requirements. This protects the pump from sucking up sediment and thus increases the safety of every rainwater installation.

The water is pressed out of the cistern directly into the pipework to the point of use. This pressure principle avoids the otherwise usual uncertainties of suction pumps operating inside a house.

The pumps of the Multigo series have several stages of output and will meet many demands: the very good output often makes the use of expensive double pump installations unnecessary.



The Automatic switch SA 06

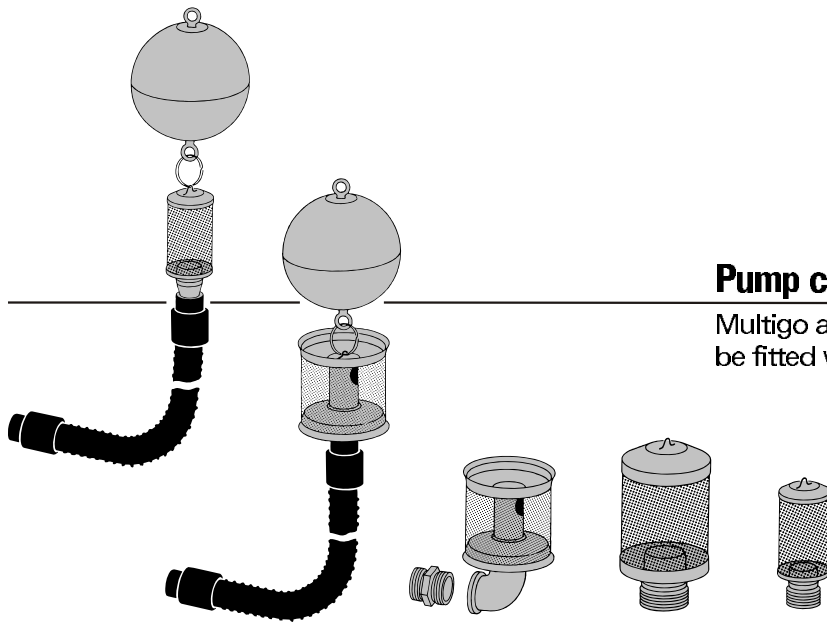
The SA 06 controls the pumping operations for water extraction, on and off completely automatically and noiselessly.

High operating safety through electronic controls

Integrated backflow prevention maintains the pipe pressure in the house supply.

The SA 06 protects the pump from running dry and from water hammer.

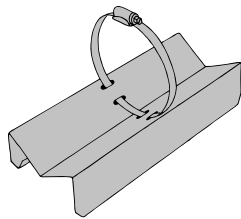
Each stage of operation is clearly shown by illuminated diodes.



Pump connections

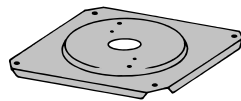
Multigo and also Provedo submersible pumps can be fitted with floating or fixed pump connections.

Accessories



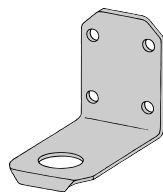
Bracket

Stainless-steel bracket for horizontal installation of submersible pumps in storage tanks (e.g. ribbed plastic cisterns)



Baseplate

Stainless-steel baseplate for submersible pumps (Multigo/Provedo) for maximum security in cisterns



Wall mounting for automatic switch SA06

The stable wall mounting provides a secure placing in various positions and easy and fast installation on the wall.

Operating / Output data

Model	P1 Power KW	Average current A	Max. pumping height in m	Network voltage:	230 V, 50 Hz
Multigo 40/06	0,80	3,4	39	Max. current:	10 A
Multigo 40/08	1,00	4,3	47	Max operating pressure:	10 bar
Multigo 80/12	1,33	6,4	49	Cut-in pressure with automatic switch:	1,5 bar
Multigo 40/12	1,42	6,8	72	Type of protection:	IP 54
				Connection thread:	1 1/4" female

Rainfilters of Texas, LLC
PO Box 203113 | Austin, TX 78720-3113